

NOTES:

All Tile & Grout provided by owner, and will be on site prior to mutually agreed install start date

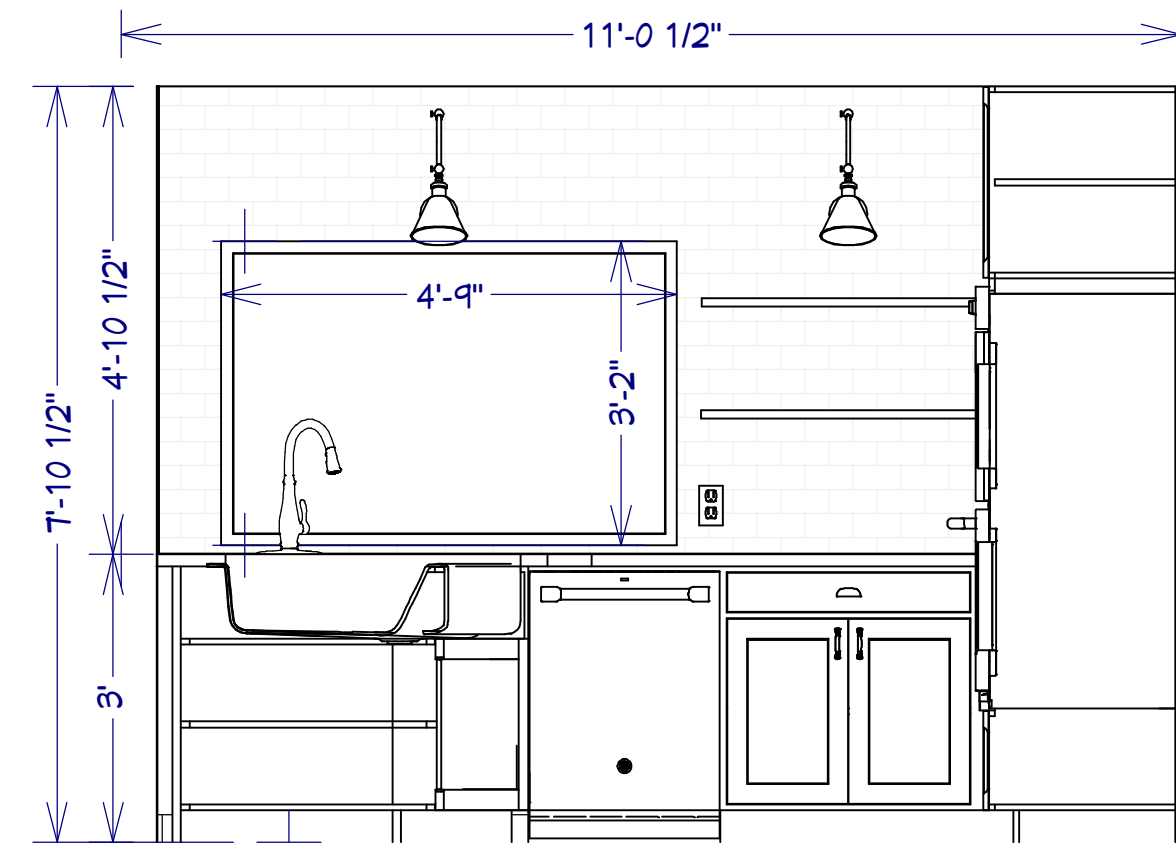
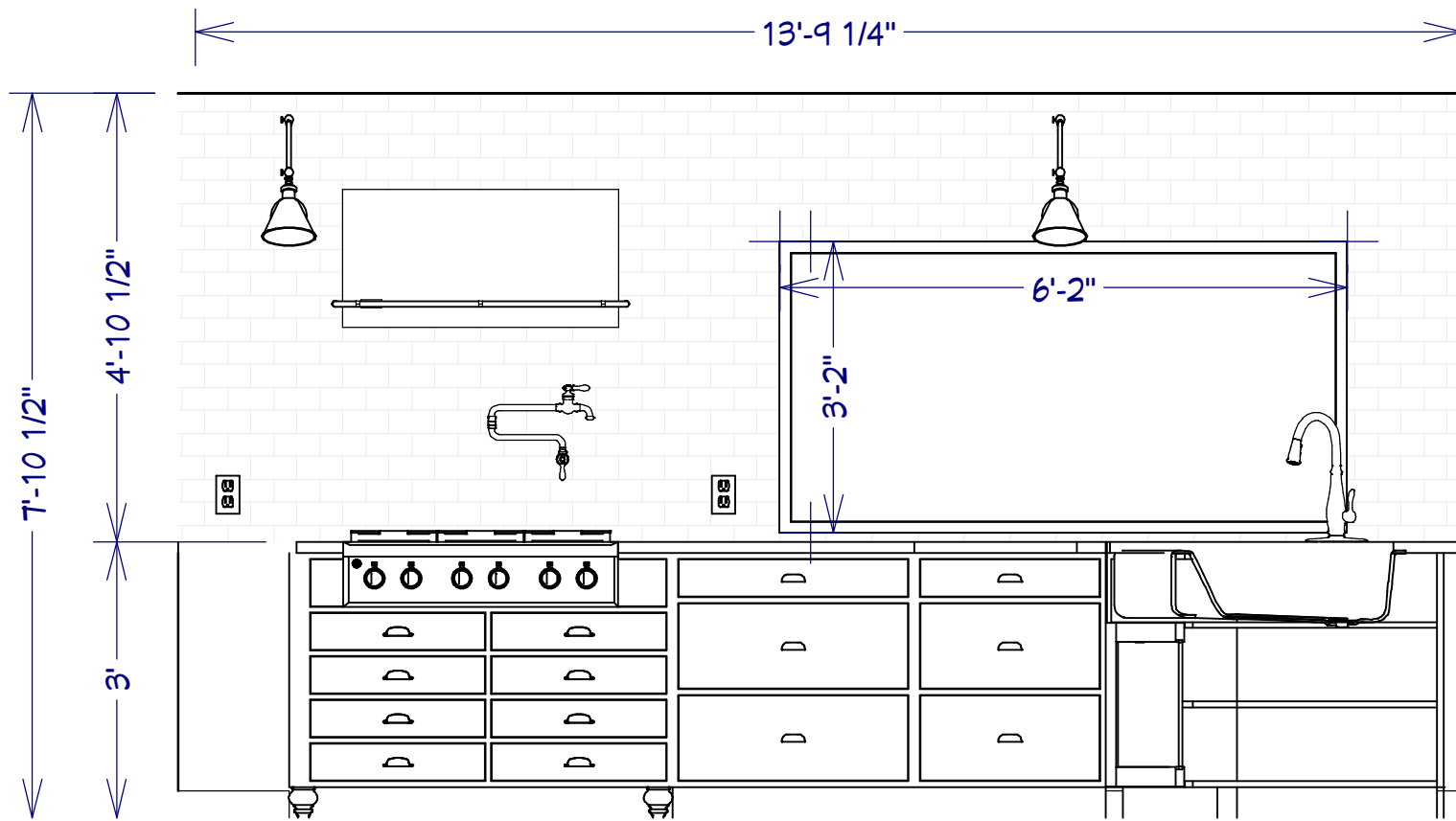
All Tile has been selected and is detailed on each page

All Grout colors are TBD and will be provided in advance

Nuheat electric mats provided by owner (Master Bath only)

Thinset, mud job and install provided by tile installer

Plan Set Date: 12-21-20



Tile Takeoff:
 Long wall, less window area: 47.25 SF
 Short Wall, less window area: 40 SF
 (no waste added, exact SF only)

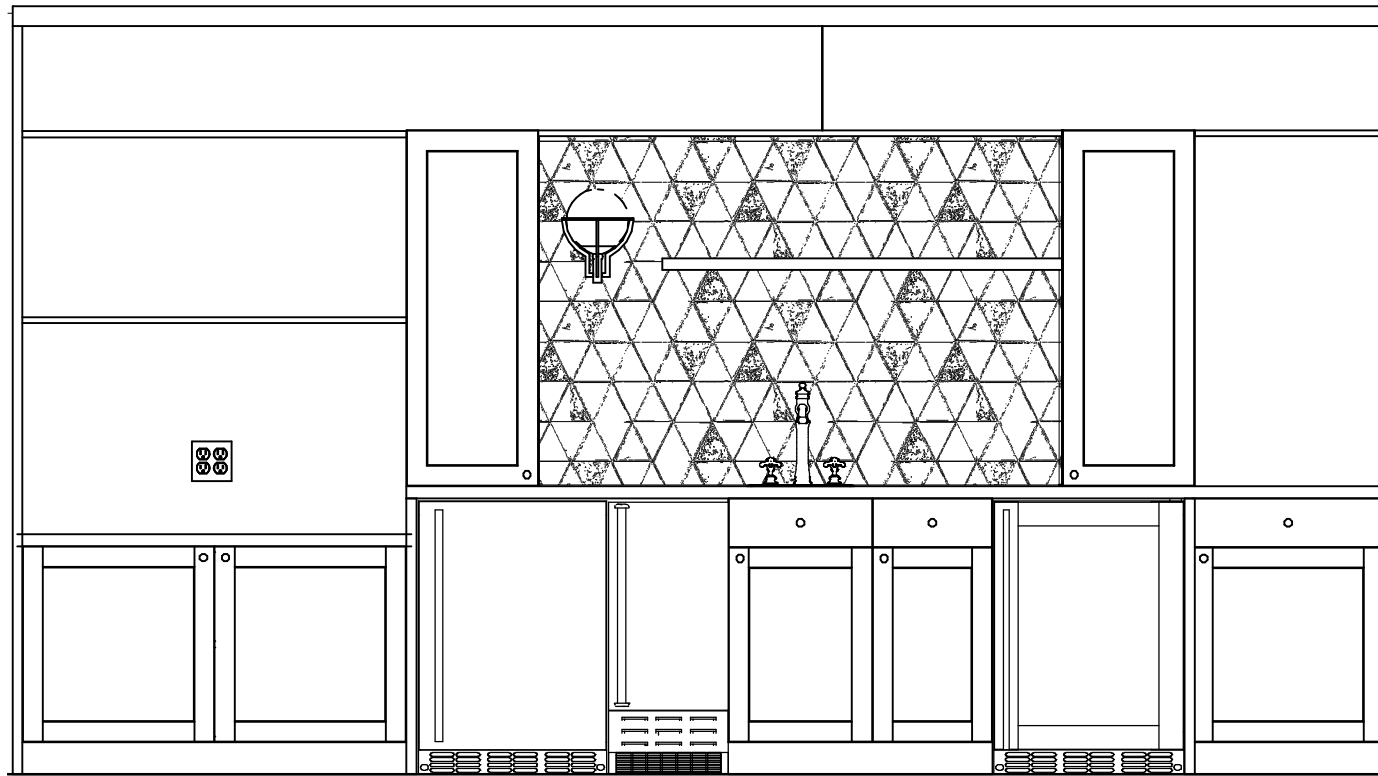
Tile Notes
 Kitchen backsplash will be a mix of two tiles in different finishes
 Tiles are from same manufacturer and same family
 Mix: 70% glossy / 30% matte - randomly installed

Glossy
 Equipe, La Riviera - Botanical Green
 2.5" x 8" ceramic subway

Matte
 Equipe, Magma - Malachite
 2.5" x 8" ceramic subway



KITCHEN BACKSPLASH
 1/2" = 1'

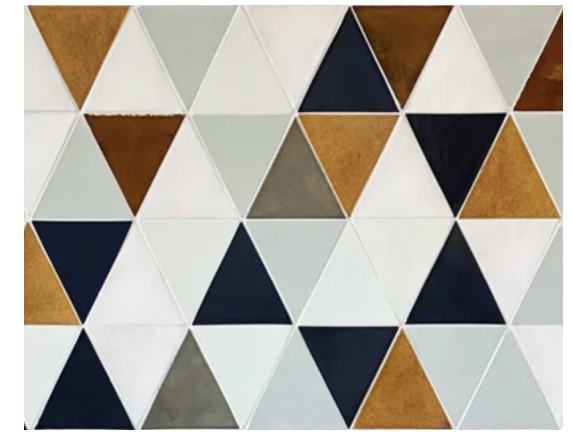


Tile Takeoff:
 Backsplash: 22 SF
 (no waste added, exact SF only)

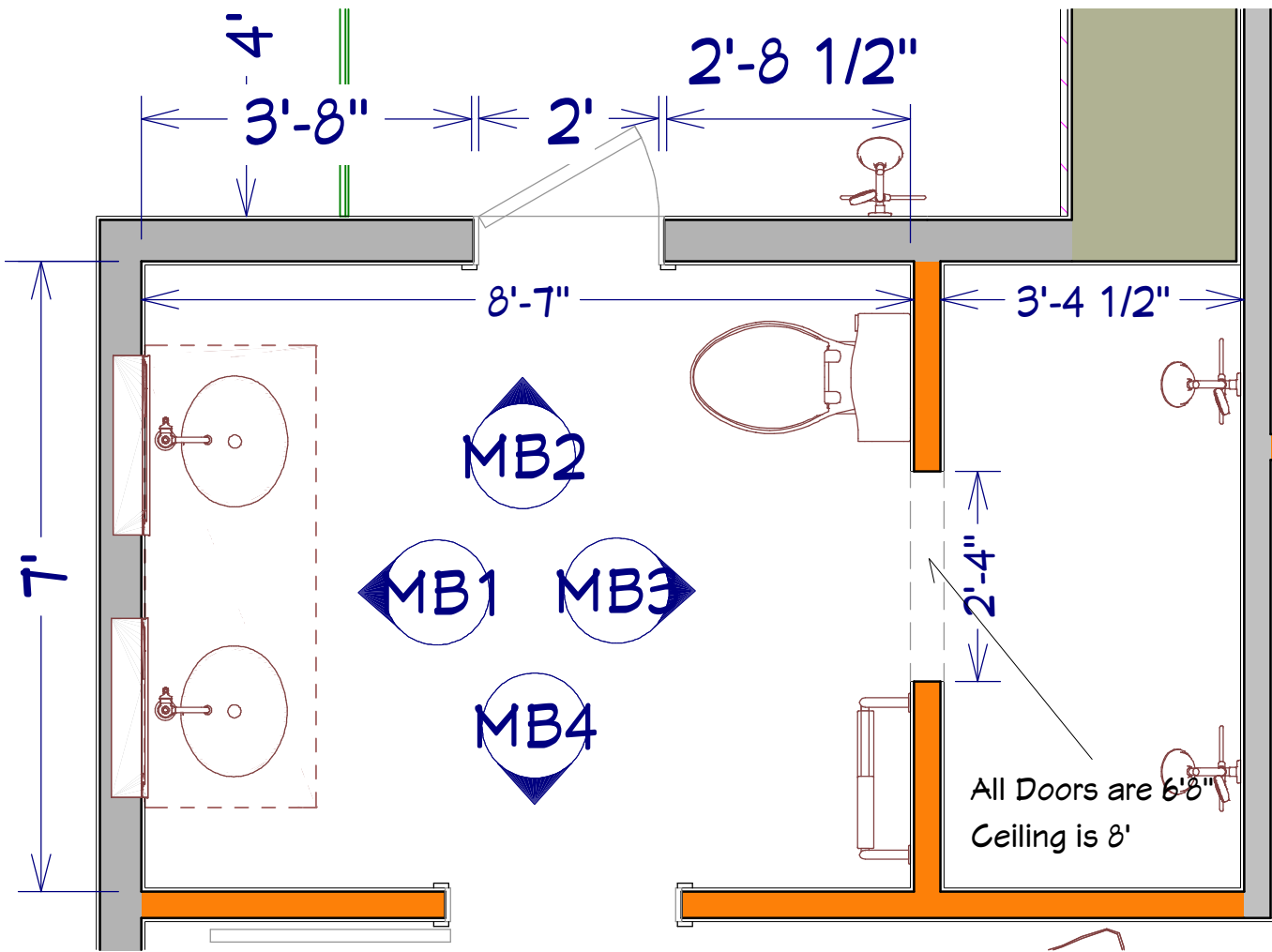
Tile Notes
 Bar backsplash will be a mix of 7 colors of the same tile
 Final pattern will be provided prior to install

Tile:
 6" x 6" ceramic triangles
 3/8" thick
 Glossy

Pattern Example -->



BAR BACKSPLASH
 1/2" = 1'



ELEVATIONS ON PAGE 5

MASTER BATHROOM

1/2" = 1'



<u>Tile Takeoff:</u>	
Bathroom Floor:	61.25 SF
Shower Floor:	24.50 SF
<u>Bathroom Walls</u>	
MB1:	46.00 SF
MB2:	52.50 SF
MB3:	42.00 SF
MB4:	55.00 SF
<u>Shower Walls</u>	
Shower Head Wall:	56.00 SF
Doorway Wall:	38.50 SF
Short Wall:	28.00 SF
Short Wall:	28.00 SF
(no waste added, exact SF only)	

Fully Tiled Bath

- Bathroom Floor
- Shower Floor
- Bathroom walls to ceiling
- Shower walls to ceiling

NuHeat Heat Mat to be installed on bathroom floor & shower floor before tile

*heat mat provided by owner

Tile Notes

Bathroom Floor & Walls

ARDOSIA ELEPHANT GREY 24" X 48" RECTIFIED
10mm thick
Porcelain tile

Shower

Floor
12" x 12" pebble matt Island Blend
3/8" thick

Walls

6" x 12" pebble matt Timor Tan
5/8" to 1" thick

SHEET NUMBER

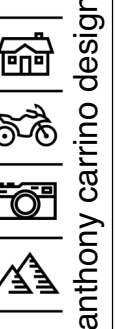
4

REVISION #:

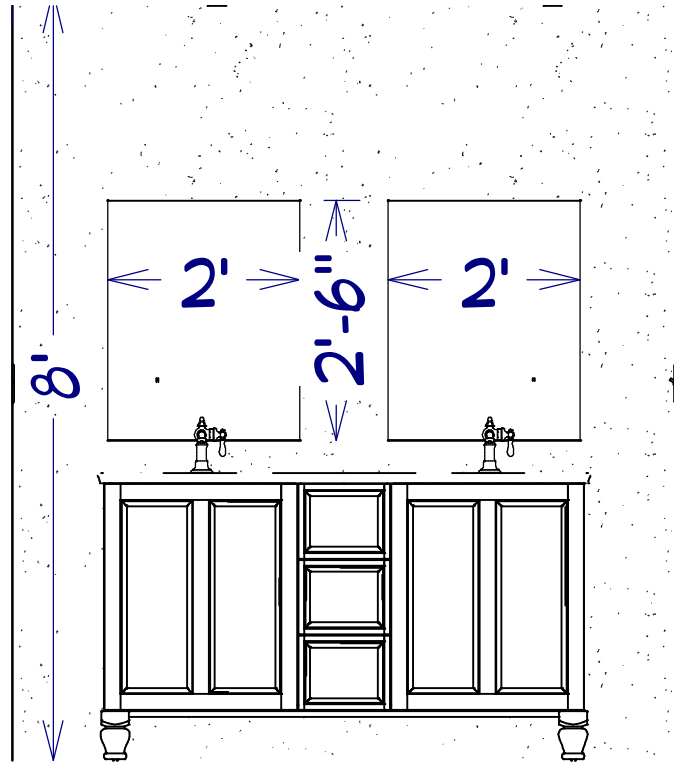
MASTER BATH

Stone House Project

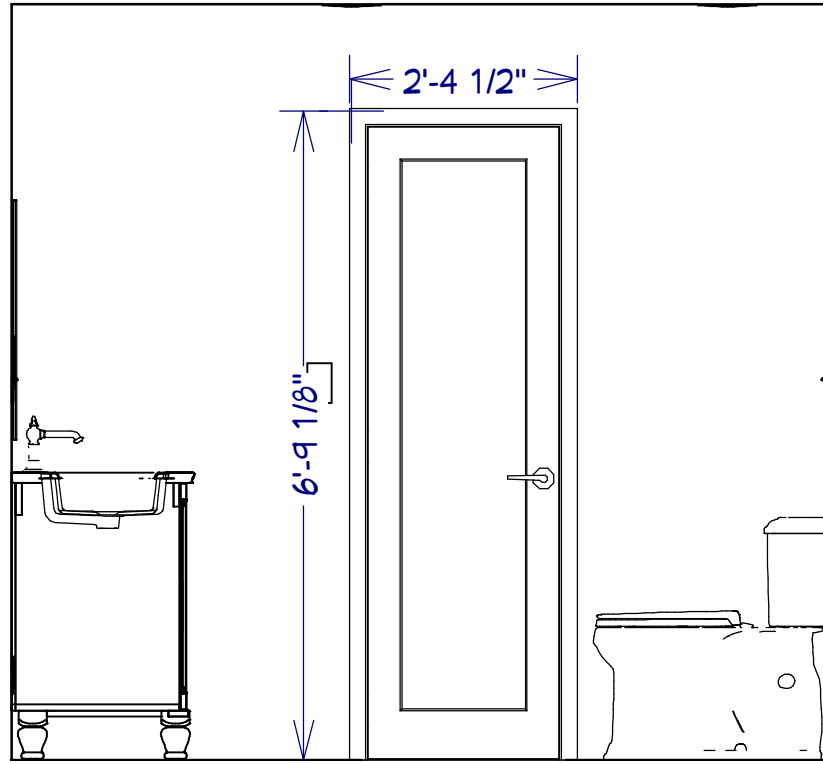
Jersey City, NJ | © 2020
www.anthonycarrino.com



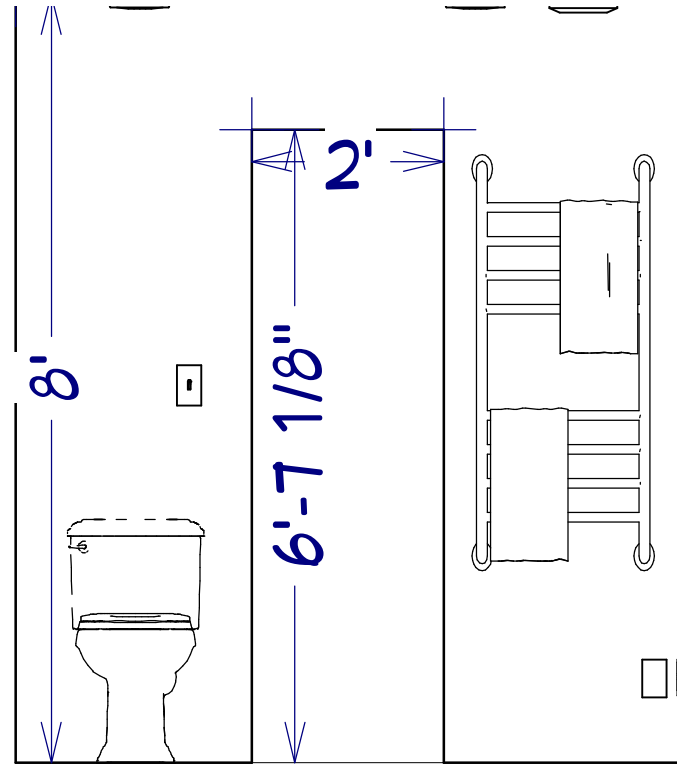
anthony carrino design



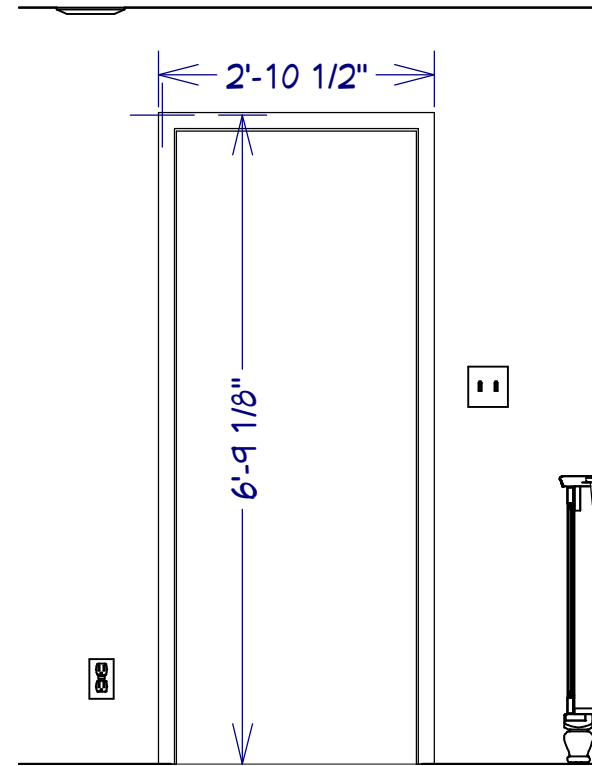
MB1



MB2



MB3



MB4

MASTER BATHROOM

1/2" = 1'

SHEET NUMBER

5

REVISION #

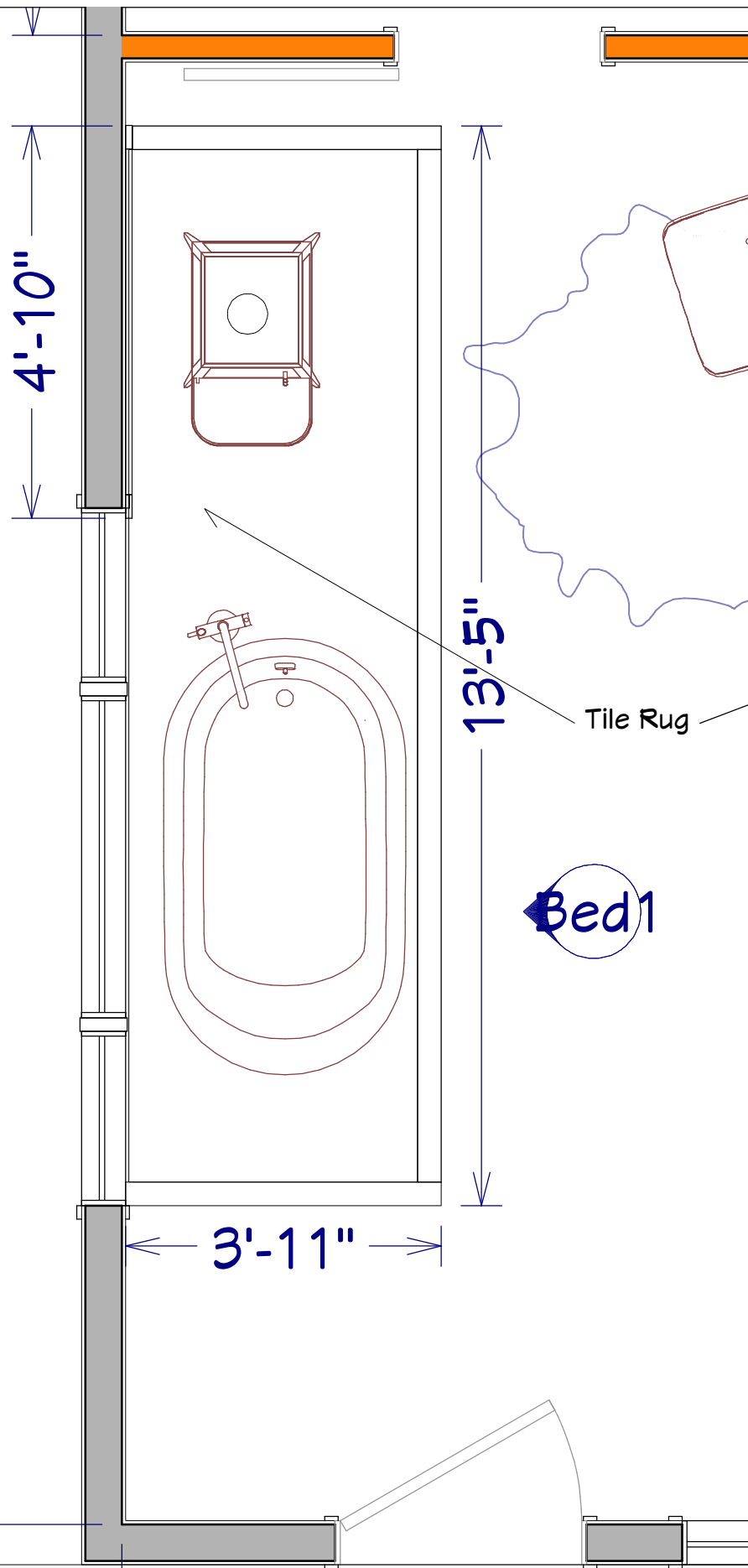
MASTER BATH

DATE:

DRAWN BY: .ac

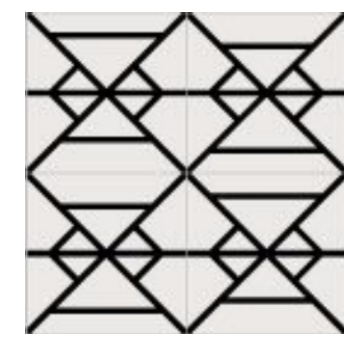
Stone House Project

Jersey City, NJ | © 2020
www.anthonycarrino.com



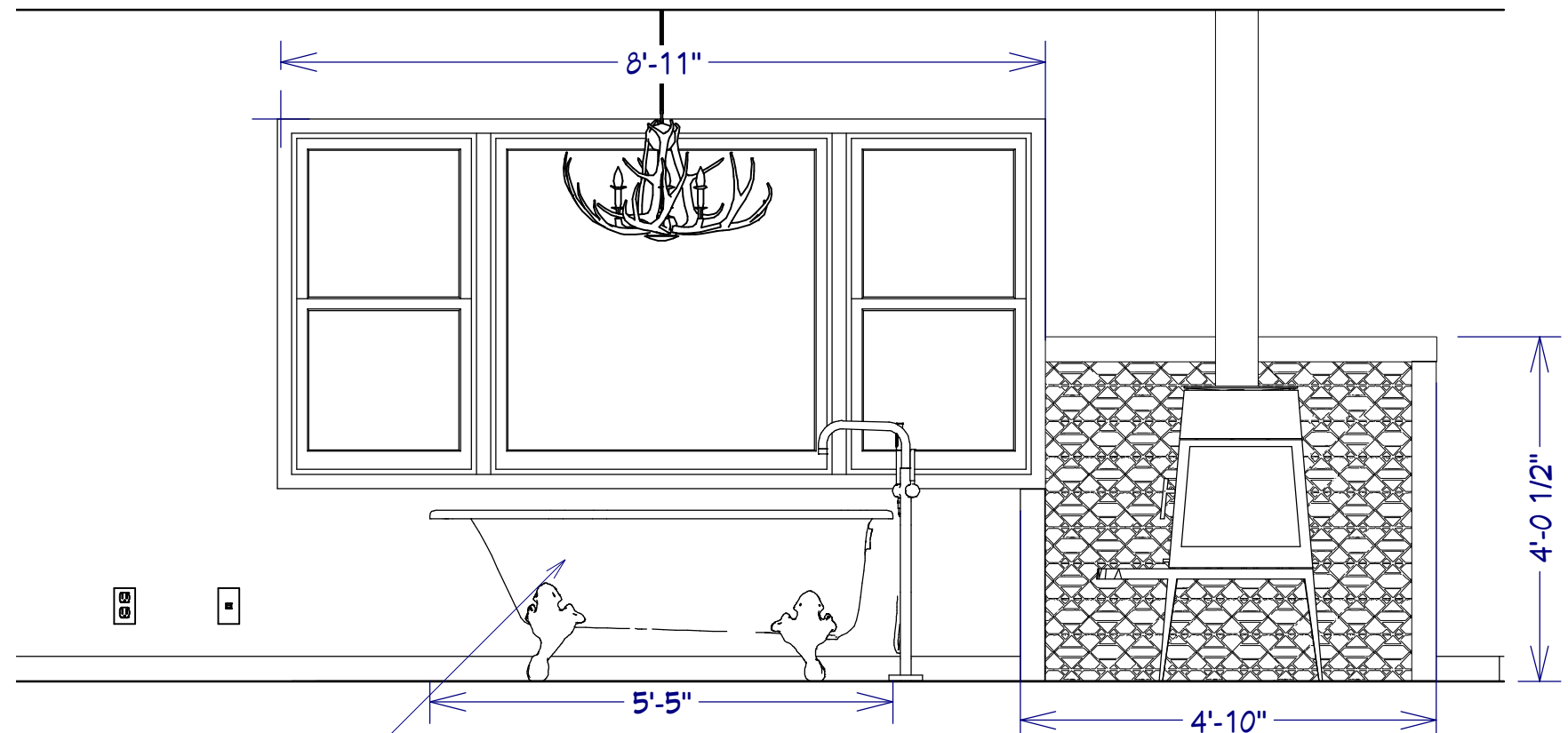
Tile Takeoff:
 Tile Rug: 54 SF
 Wood Stove Backsplash: 20 SF
 (no waste added, exact SF only)

Tile Notes:
 Main Tile
 8" x 8" cement tile
 5/8" thick

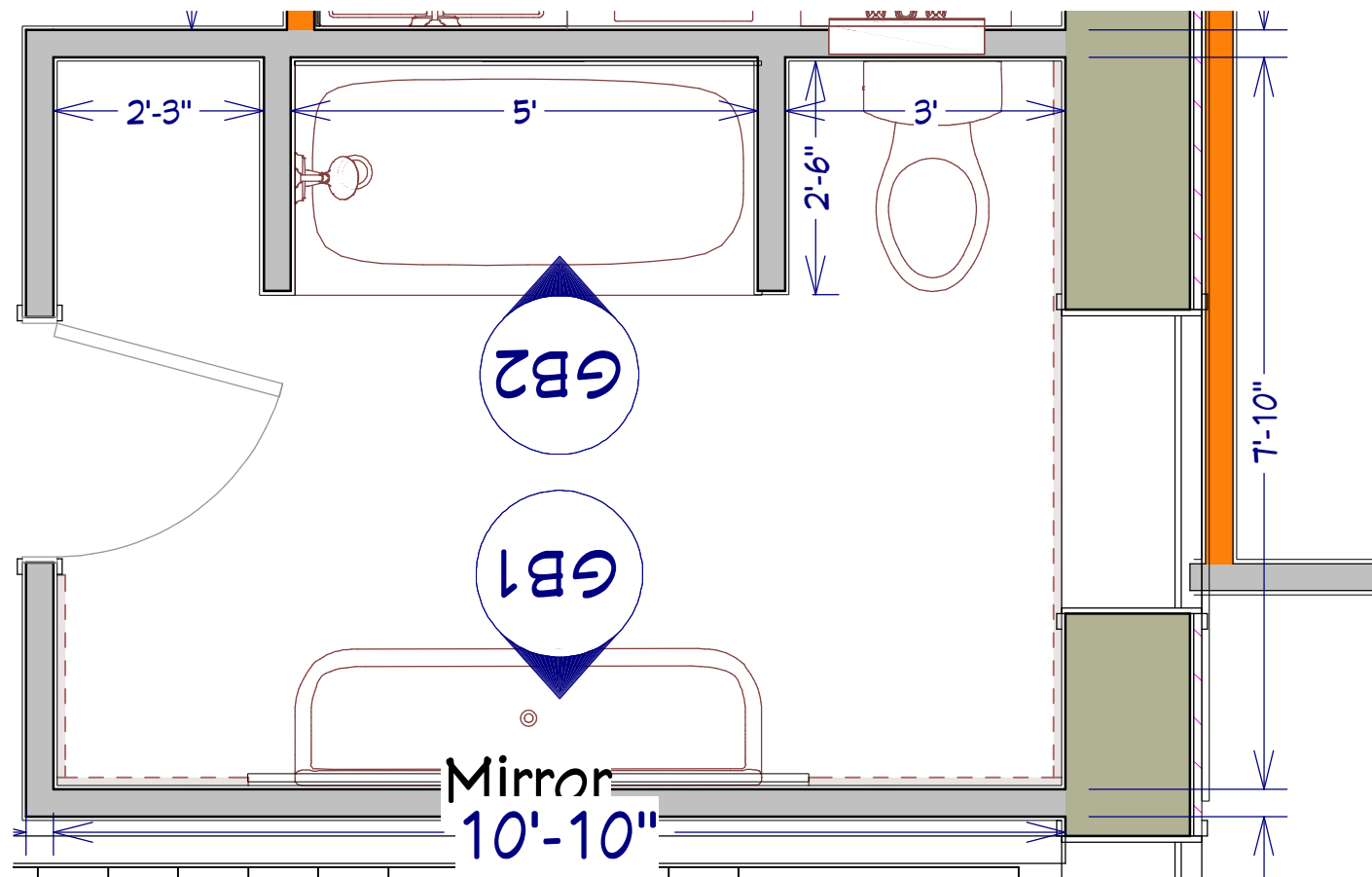


Border Tile
 Dash, Black City Plank
 3.5" x 14.5" porcelain tile
 9mm thick

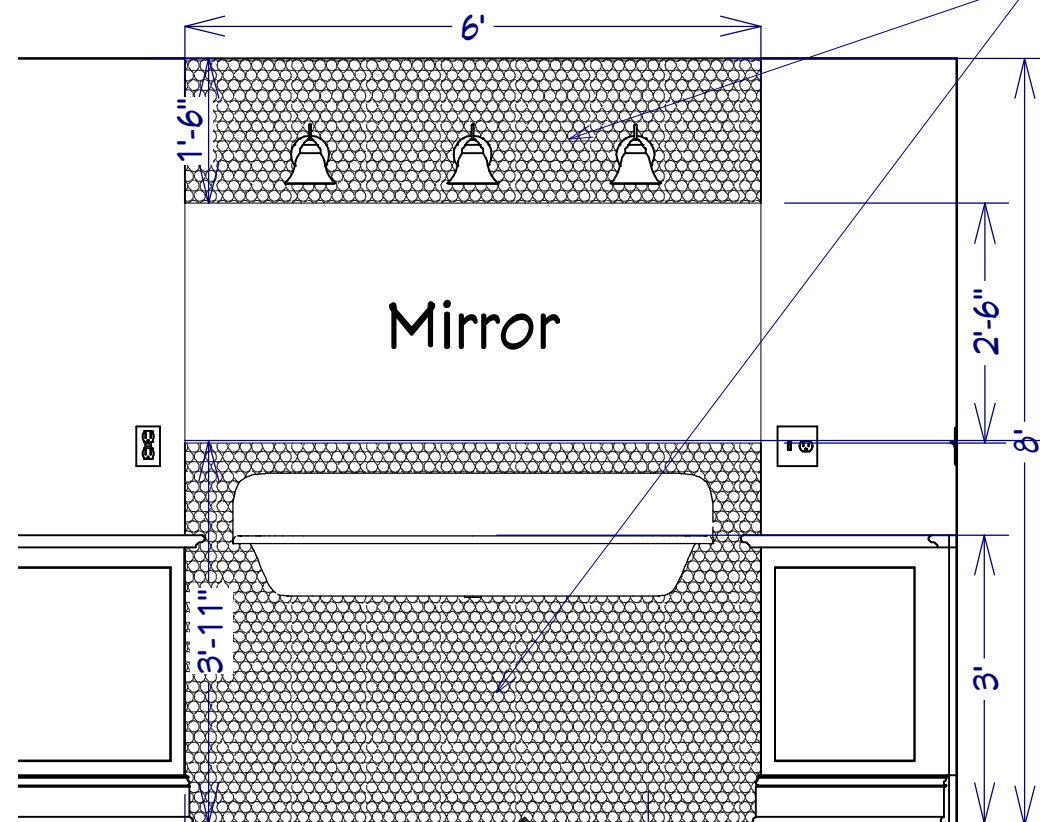
MASTER BEDROOM
 1/2" = 1'



Tub is 27-7/8" tall

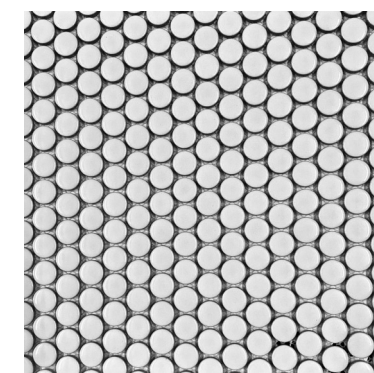


Black Tile Text will be pre-mounted on 12" x 12" mesh backing
 All White Penny Rounds will be pre-mounted on 12" x 12" mesh backing
 NO tile on floor
 Pre-cast shower base

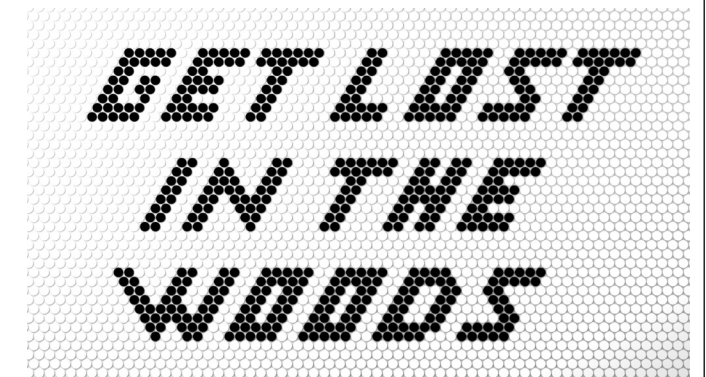


Tile Backsplash
 Floor to Ceiling

Tile Takeoff:	
Floor:	NO TILE
Walls	
GB1:	33 SF
GB2:	124 SF
(no waste added, exact SF only)	



3/4" Porcelain Mosaic
 12" x 12" sheet



Custom Saying in 3/4" Porcelain Mosaic
 mounted on 12" x 12" sheets
 (saying is still TBD - example only)

GUEST BATH

1/2" = 1'

GB1

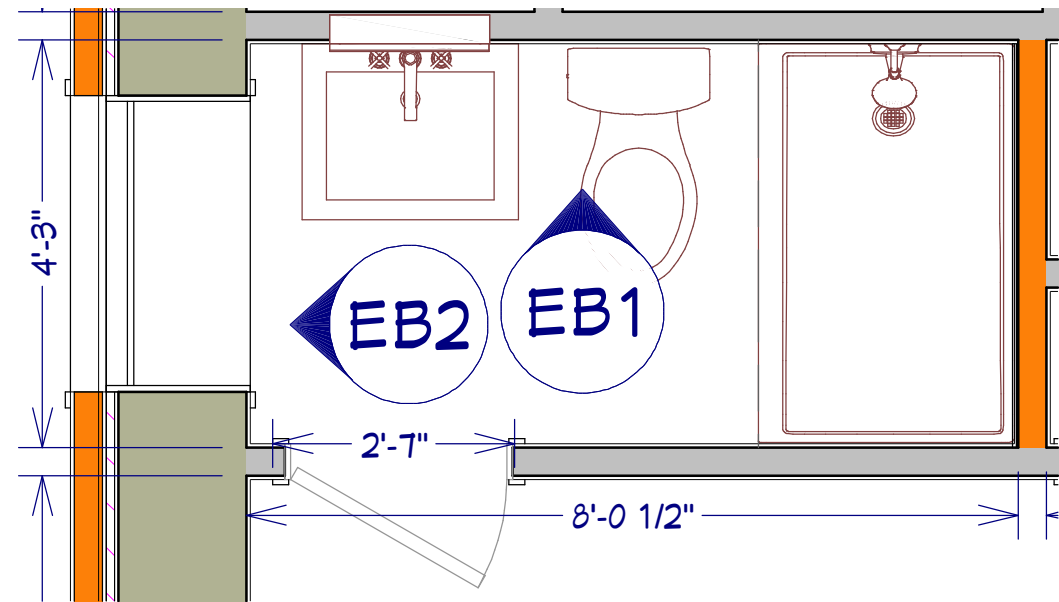
SHEET NUMBER
7
 REVISION #

Stone House Project
 GUEST BATHROOM
 DRAWN BY: ac
 DATE:

Stone House Project

Jersey City, NJ | © 2020
 www.anthonycarrino.com

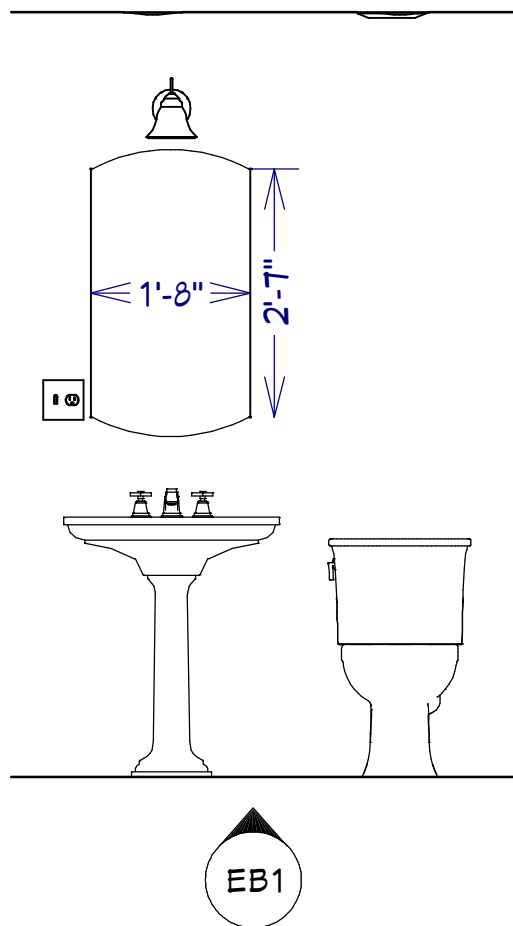
anthonycarrino design



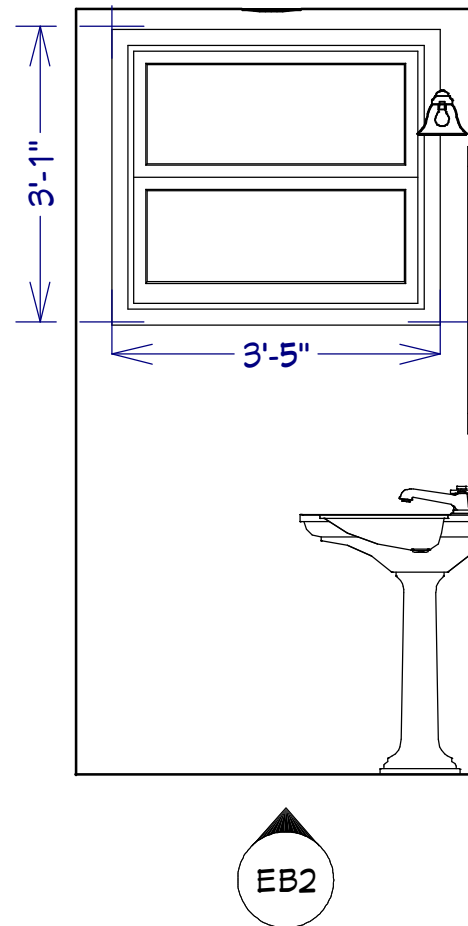
Tile Takeoff:
Floor: NO TILE

Walls
Sink Wall: 64.0 SF
Door Wall: 46.5 SF
Window Wall: 25.5 SF
Shower Wall: 36.0 SF

(no waste added, exact SF only)

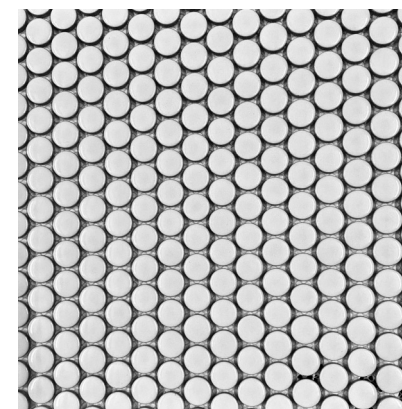


EB1

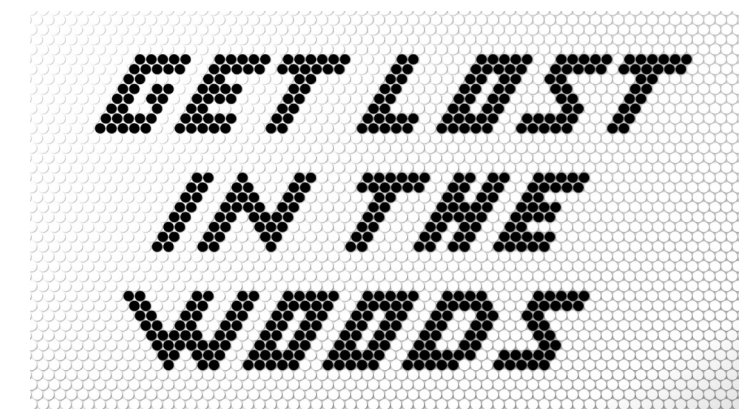


EB2

Black Tile Text will be pre-mounted on 12" x 12" mesh backing
All White Penny Rounds will be pre-mounted on 12" x 12" mesh backing
All Walls tiled floor-to-ceiling (8')
NO tile on floor
Pre-cast shower base



3/4" Porcelain Mosaic
12" x 12" sheet



Custom Saying in 3/4" Porcelain Mosaic
mounted on 12" x 12" sheets
(saying is still TBD - example only)

ENSUITE BATH
1/2" = 1'

SHEET NUMBER

8

REVISION #:

ENSUITE BATH

DATE:

DRAWN BY: ac

Stone House Project

Jersey City, NJ | © 2020
www.anthonycarrino.com

anthonycarrino design